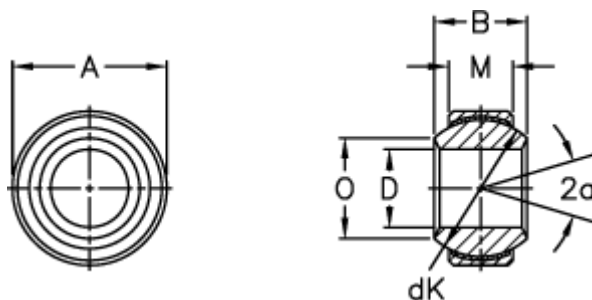


Article number: 03508050

Description: Fluro Rod end GE 50FW-2RS

## Measures



A	= 90 0 -0,015	Tilt angle = 17
B	= 56	Weight = 1400
D	= 50 0 -0,012	
dK	= 80	
Dynamic load C (kN)	= 460	
M	= 36	
O	= 57.1	
Static load C0 (kN)	= 920	